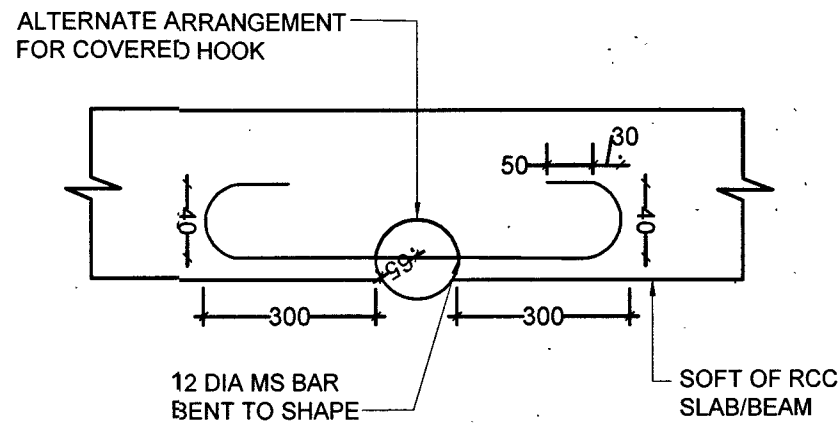


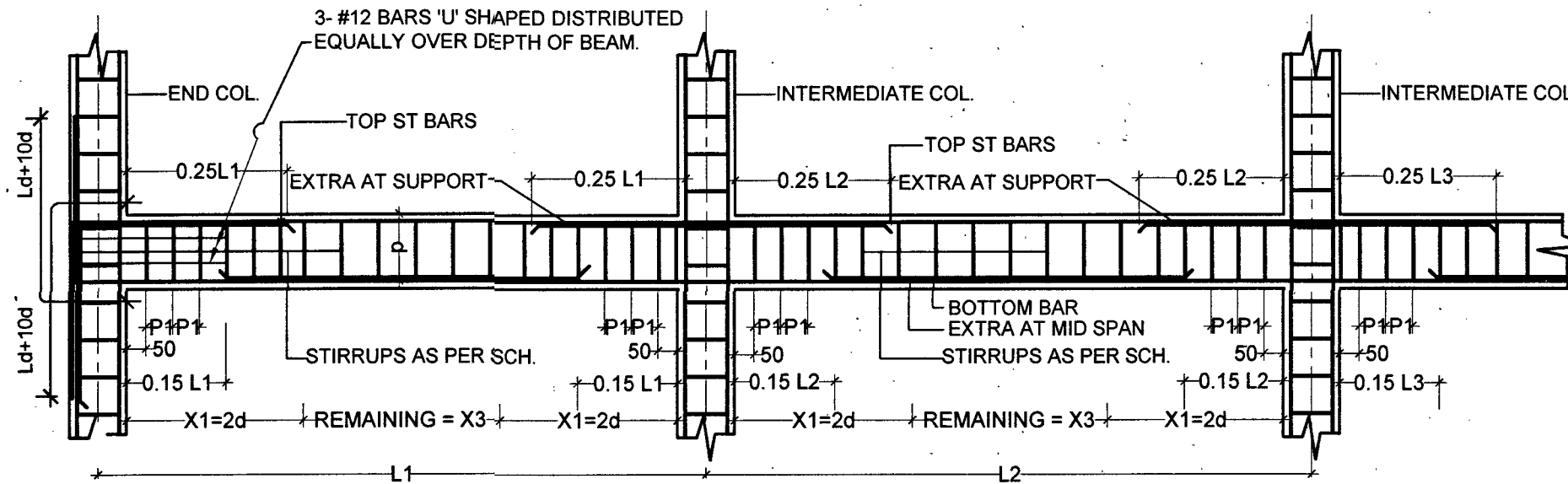
64. FAN BOX MAY BE PROVIDED IN INTERMEDIATE FLOORS. NO FAN BOX SHALL BE PROVIDED IN THE ROOF TOP TO PREVENT SEEPAGE/LEAKAGE. FAN HOOK AS PER FIG. 22 SHALL BE PROVIDED.



**FIG.-22: FAN HOOK IN RCC SLAB**

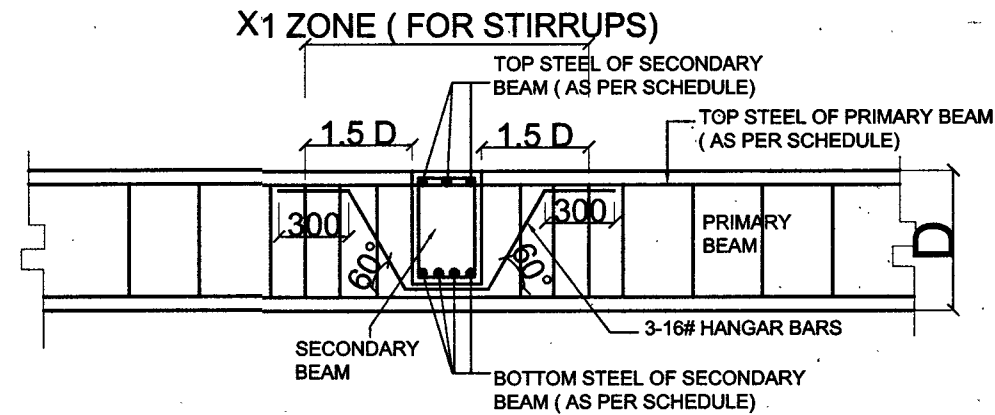
**BEAMS**

65. TYPICAL ARRANGEMENT OF REINFORCEMENT IN BEAMS AT BEAM COLUMN SHALL BE AS PER FIG.-23.





**FIG.-23: TYPICAL DETAIL OF BEAM AT COLUMN JUNCTION**

d = EFFECTIVE DEPTH OF BEAM  
 ( BEAM DEPTH - CLEAR COVER-  
 DIA OF STIRRUP - HALF DIA OF  
 BOTTOM BAR AT MID SPAN)



**FIG. - 23A : DETAILS AT JUNCTION OF PRIMARY / SECONDARY BEAM**

SNO.	DATE	DESCRIPTION	DY.DIR	DIR(DES)
				INITIAL
REVISIONS				
DATE	30 MAY 2024	CHIEF ENGINEER JALANDHAR ZONE		
DRN	POOJA T			
TCD				
CKD				
SCALE	AS SHOWN	TYPICAL R.C.C. DETAILS		
SHT. SIZE	A3			
 Pooja T DRN (DESIGN)		DETAIL OF BEAMS		
		DRG. NO.	SHEET NO.	
			14/34	
 DIR (DESIGN) FOR CHIEF ENGINEER		DRG NO CEJZ / STD- 422 /24		